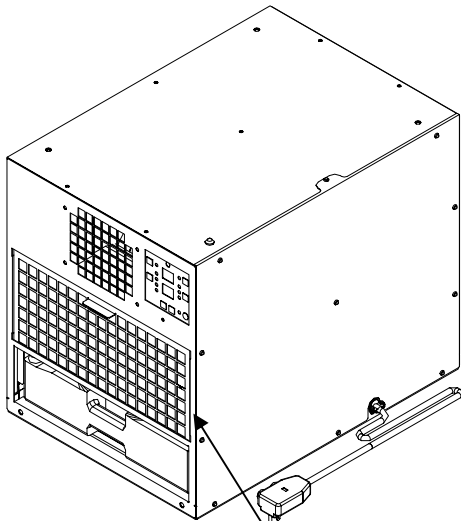
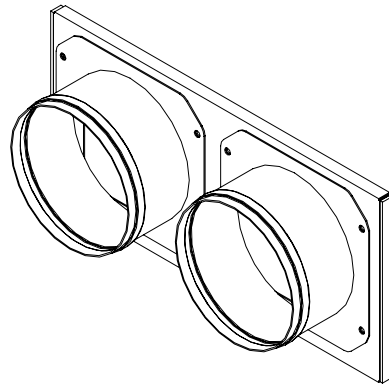
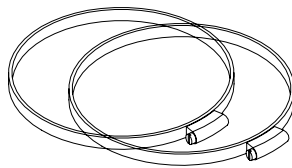


## Instructions:

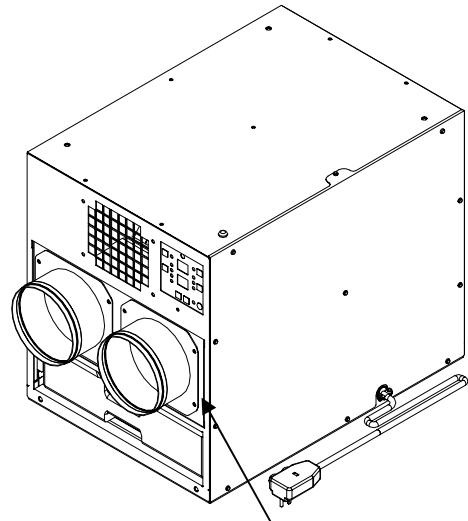
1. Remove the Evaporator Grille from the CoolCube 10
2. Remove the Filter from the Evaporator Grille and insert the filter into the Evaporator Plenum
3. Insert the Evaporator Plenum into the CoolCube 10
4. Secure (2) 6-inch ducts to the Evaporator Plenum using the enclosed Duct Clamps
5. If you have any questions, please contact your CoolCube reseller or contact MaxPower at 800-576-3966 or [sales@coolcube10.com](mailto:sales@coolcube10.com)

## Inventory:

- (1) Evaporator Plenum
- (2) Duct Clamps



Evaporator Inlet Grille



Evaporator Plenum